

# HANDSET HB40

## Features and Options:

- Handset for up to 4 actuators
- Only control current, max. 100 mA per channel in the handset
- High-strength plastic housing
- Ergonomic design and easy-touch buttons
- Hook for easy placement
- 2.5 m straight cable
- Protection class: IPX1. (HB44H for CARELINE IPX4) IPX5 or IPX6 (Not HB40A)
- Colour: black
- 0.5 m/0.6 m coiled cable or with extra long cable
- Customised front cover
- Anti-slip rubber tip for placement on a flat surface (special article)
- Colour: grey

## Usage:

- Ambient temperature: +5° to +40° C
- HB40 is compatible with CB8-T, CB9..AX (not CH.4) and CB12 (not CH.4)
- HB40A is compatible with CB8-A battery version. Fitted with plug for battery charger CH01.
- HB40E is compatible with CB9Px (except CB9..PM/IPN) and CB14
- HB44H is only compatible with CB9..Ax and CB12 (if CH.4) 4 channels
- HB40T is only compatible with CB7 (max. 2 channels)

**MEDLINE**  
IMPROVING EFFICIENCY

**CARELINE**  
IMPROVING EFFICIENCY

**TECHLINE**  
IMPROVING FLEXIBILITY

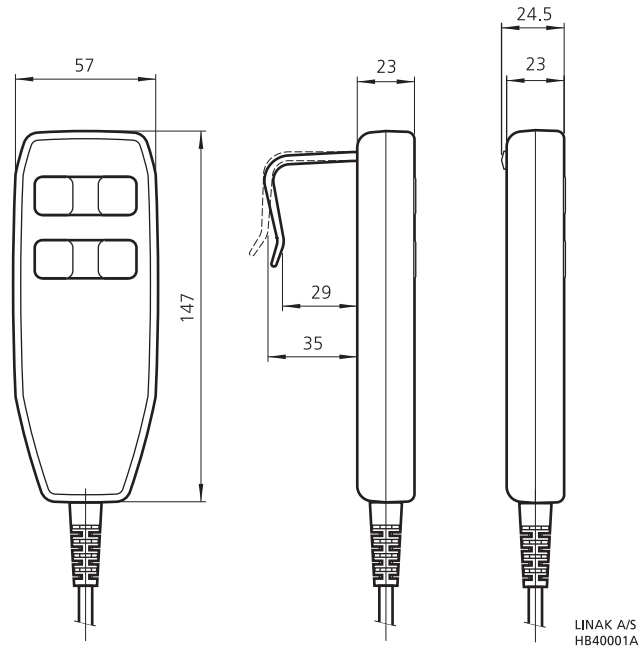
**HOMELINE**  
IMPROVING COMFORT



The HB40 series handsets are designed for use with LINAK® control boxes.

These sturdy compact units are ergonomically designed and ideal for a vast range of applications from patient care beds and office furniture to industrial and agricultural duties.

**Dimensions:**



**Compatibility:**

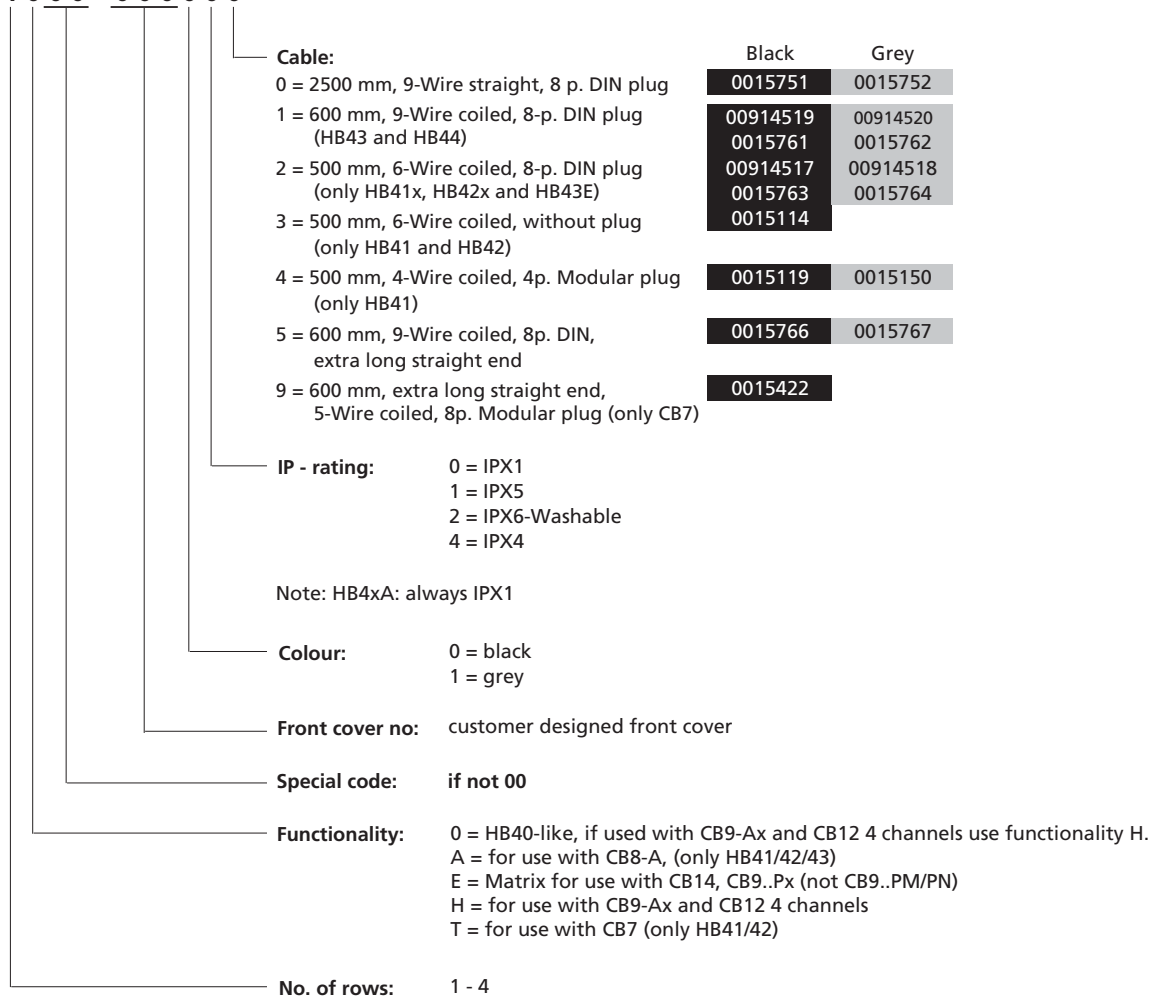
	CB7	CB8	CB8A	CB9..Ax	CB9..Px (not CB9..PM/PN)	CB12	CB14
HB4xO		x		x*		x*	
HB4xA			x				
HB4xE					x		x
HB4xH				x (4ch.)		x (4ch.)	
HB4xT	x						

\* only for channels 1, 2 and 3

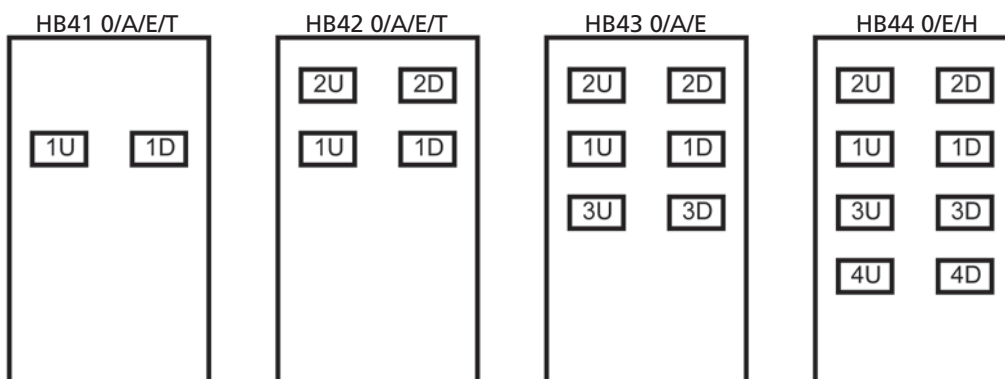
## HB40

Ordering example:

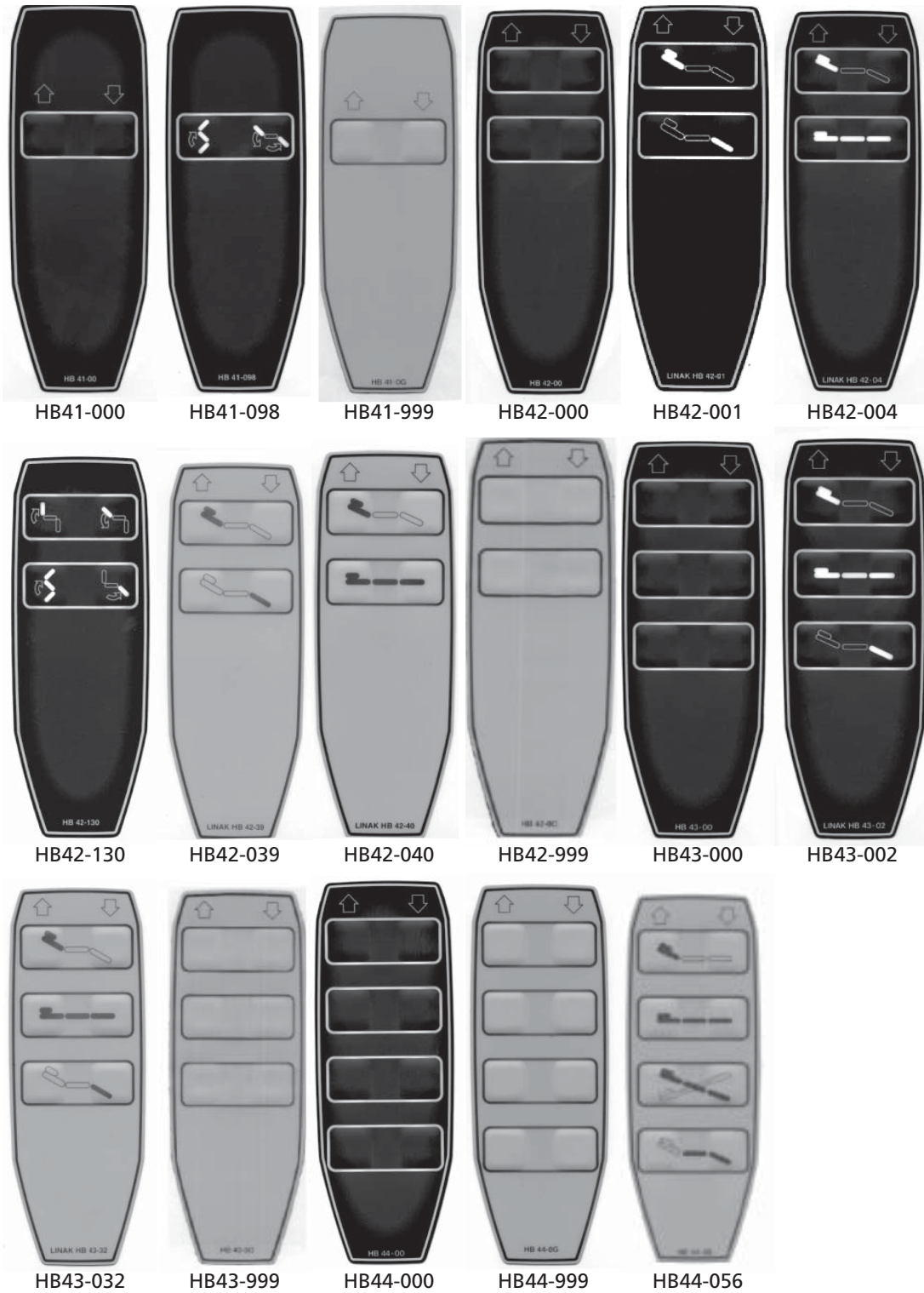
**HB41000-000000**



### Overview for HB4x functionality: 0, A, E, H, T



**HB40 Standard front covers:**



When ordering check that the handset functionality corresponds to the symbols on the front cover. The last 2 digits in the front cover code are to be used in the ordering example (xx).

**Terms of use**

The user is responsible for determining the suitability of LINAK products for specific application. LINAK takes great care in providing accurate and up-to-date information on its products. However, due to continuous development in order to improve its products, LINAK products are subject to frequent modifications and changes without prior notice. Therefore, LINAK cannot guarantee the correct and actual status of said information on its products. While LINAK uses its best efforts to fulfil orders, LINAK cannot, for the same reasons as mentioned above, guarantee the availability of any particular product. Therefore, LINAK reserves the right to discontinue the sale of any product displayed on its website or listed in its catalogues or other written material drawn up by LINAK. All sales are subject to the Standard Terms of Sale and Delivery for LINAK. For a copy hereof, please contact LINAK.