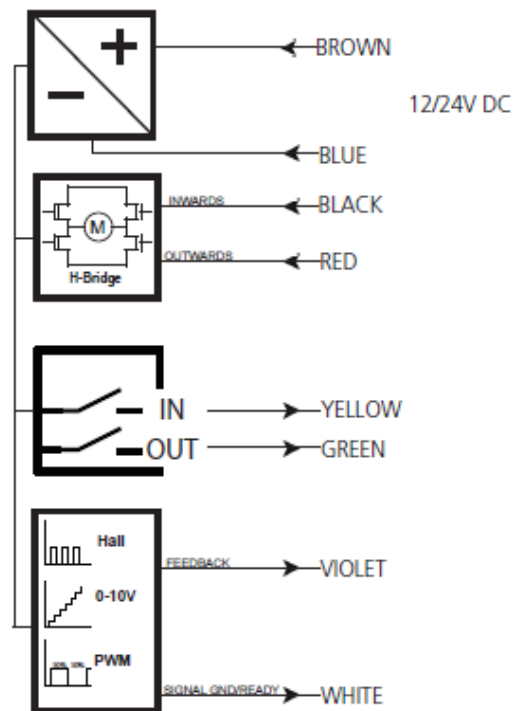


Actuator with IC and endstop signals:**Connection diagram:**

Fig. 7 : 12xxxx-xxxxxxx8



Please be aware that if the power supply is not properly connected, you might damage the actuator!